

**Cabinet
Discounters®**

Kitchen Planning Guide

Your First Step
Toward Making Your
Kitchen Dreams Come True!

www.CabinetDiscounters.com

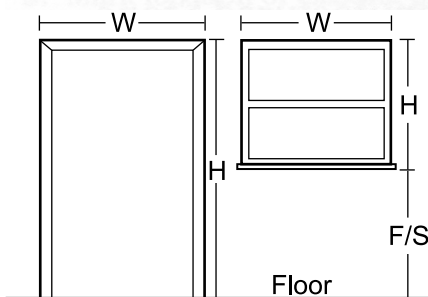
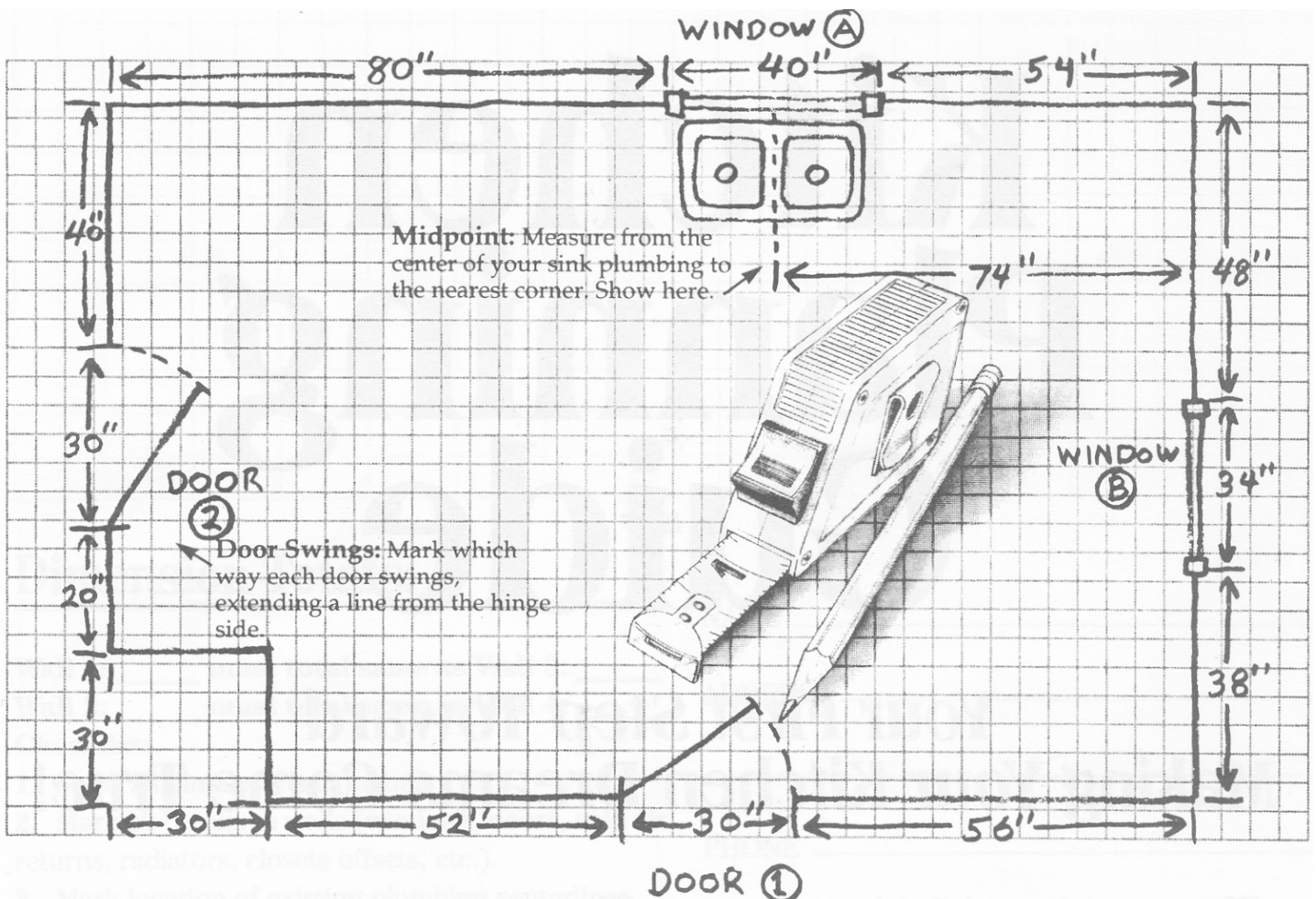
Kitchen Planning Guide

Start by Measuring Your Kitchen Space: Cabinet Discounters designers are experts and will create a customized layout incorporating your family's needs and desires, but it must fit your space. Drawing dimensions is easy - all you need is a tape measure, a pencil, and the simple grid on the back of this Guide. Just be sure you get all the measurements written down. Your drawing should look similar to the one below.

Start by measuring the sink window wall first. Begin in the corner. Measure in inches to the edge of the window trim.

Windows & Doors: Mark in width from outside of trim to outside of trim. Fill in full dimensional data at bottom of this page.

Continue... Working clockwise, record all measurements of the room noting any breaks such as doors, offsets, etc/



Window	A	B	C	D
H (Window Height)	"	"	"	"
F/S (Floor to Sill)	"	"	"	"
H + F/S = TOTAL	"	"	"	"

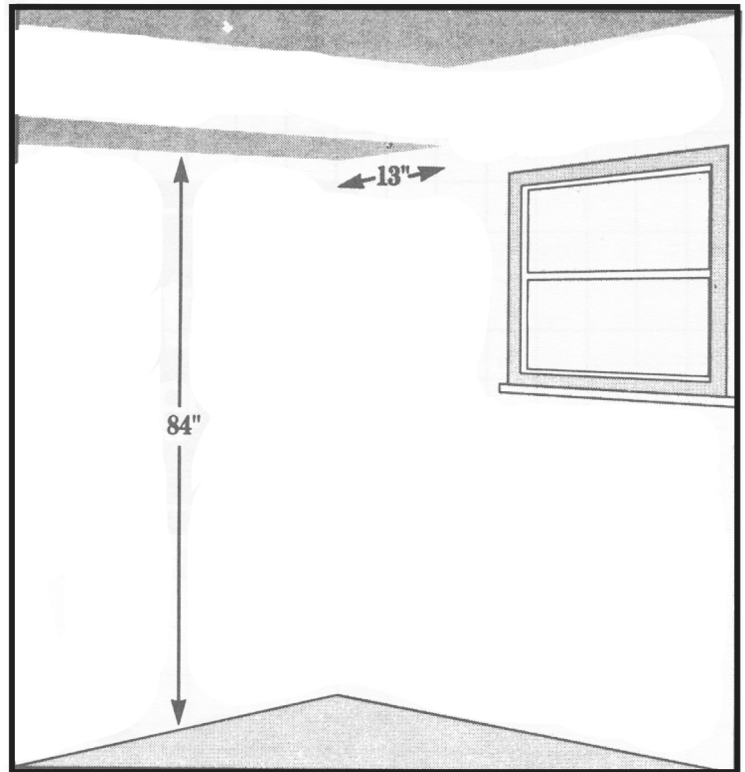
Door Height(s): _____ "

Ceiling Height: _____ "

Windows & Doors: Show width of each door and window on above drawing. Label as Window A, Window B; Door 1, Door 2, etc.

Planning Details

1. This plan is for: Remodeling New Home
2. If you are remodeling, are you adding: New subfloor
 Drywall or Paneling over present wall
3. The age of your house is: _____ years.
4. Interior kitchen walls are: Drywall Plaster
 Block Brick
5. Exterior walls are: Wood Permanent Siding
 Block Brick Stucco
6. Kitchen floor construction under the vinyl flooring, carpet or tile: Wood Concrete
7. If you have soffits, height from floor to soffit is _____”
soffit depth is _____”
8. Kitchen table normally seats _____ persons.
9. Dimensions of existing table are _____” wide
by _____” long; or if round _____” diameter



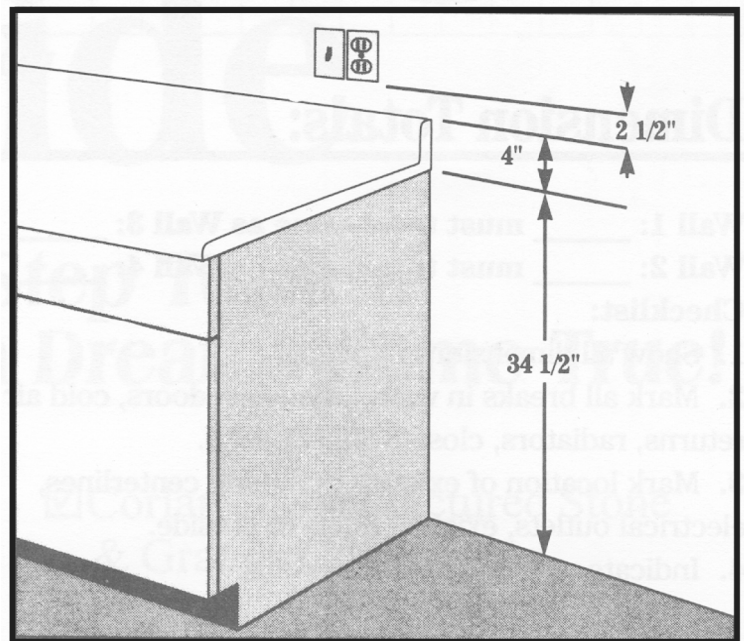
Soffits: A soffit is the bulkhead between the ceiling and the top of the cabinets. Distance from floor to soffit should be at least 84”. Allow another ¼” if you install an 84” cabinet. Depth may vary - normal is 13” which is 1” deeper than a wall cabinet.

Many designers do not use soffits. In some cases and extra high 42” wall cabinet is used. In others, the space above the wall cabinets is left open.

Options Planning

Which of these Options would you like to see included in your new kitchen if space permits.

- Appliance garage with handsome tambor doors
- Built-in wine rack to add real beauty
- Chef’s pantry with huge storage capacity
- Tall utility cabinet with roll-out drawers
- Range hood housed in matching wood cabinet
- Microwave cabinet for eye level convenience
- Decorative book case to display your treasures
- Corner cabinets with swing-out shelves
- Lazy Susan units in wall or base cabinets
- Tray cabinet to provide divided storage space
- Roll-out shelves to add real convenience
- Spice rack to multiply utility space
- Built-in trash basket in base cabinet
- Cutlery drawer, chopping block and bread box contained in a single handy base cabinet unit
- Stained glass doors to add real beauty
- Sink tilt-out drawer to utilize normally wasted space
- Sliding towel rack on the back of the sink door
- Swing-out cook book rack underneath wall cabinet
- Whatnot shelves to add dimension and beauty



Base Clearance: You need 41” below the windows and electrical outlets to fit in new base cabinets and a counter top with backsplash. This leaves 2½” clearance above the counter top. If you have less than 1” clearance, be sure to notify your designer.

Wall 1

Start Here
↓

Wall 4

Wall 2

Wall 3

DIMENSION TOTALS:

Wall 1: _____ must total same as Wall 3: _____

Wall 2: _____ must total same as Wall 4: _____

Checklist:

1. Show all dimensions in inches.
2. Mark all breaks in walls (windows, doors, cold air returns, radiators, closets, offsets, etc.)
3. Mark location of existing plumbing centerlines, electrical outlets, existing ducts to outside.
4. Indicate which are exterior walls.

Name: _____

Address: _____

Phones: _____

email: _____



ANNAPOLIS
 910-A Bestgate Rd.
 Annapolis, MD 21401
 410-266-9195/301-261-8883

COLUMBIA
 9500 Berger Road
 Columbia, MD 21046
 410-381-8172/301-621-3438

GAITHERSBURG
 9153 Arbuckle Dr.
 Gaithersburg, MD 20877
 301-258-7360

OLNEY
 18207 Village Center Dr
 Olney, MD 20832
 301-960-8008

MT. AIRY
 2704-B Back Acre Circle
 Mt. Airy, MD 21771
 301-829-7272

CHANTILLY
 14501-F Lee-Jackson Hwy.
 Chantilly, VA 22021
 703-803-7990

SPRINGFIELD
 5228 Port Royal Rd.
 Springfield, VA 22151
 703-425-8822